



connecting you
to technology

findIT™
P series

findIT™

P series

The findIT™ p—series is the most powerful RFID wand on the market today, giving unprecedented reading speeds. This will allow users to easily collect information from items on the shelves with one pass. The information is stored on a PDA which is connected via WiFi. The PDA can be carried by the user or connected on to the RFID wand directly using the clip provided.

When searching for an item, the PDA will alert the user with a visual and acoustic indicator. This allows the user to complete an inventory whilst searching for an item simultaneously

Features:

- Compatible with all ISO15693 RFID labels—ISO28560-2 data models
- Powerful, boost mode
- Small, compact and light
- 16 Hours of continued use
- Integrates antenna and WLAN module



Contact us...

T: (01394)420077

E: info@d-techdirect.com

W: www.d-techdirect.com

Building 136
Bentwaters Parks
Rendlesham
Woodbridge
Suffolk
IP12 2TW



connecting you
to technology

findIT™
p series

findIT™

P series

Specifications:

Physical size:

	PDA	Reader
Height	31mm	460mm
Width	85mm	27mm
Length	145mm	260mm
Weight	0.14kg	600g

Materials:

Plastic ABS/PC—IP30, RAL 7046 / RAL 7047

Electronics:

RFID reader ISO 15693—13.56MHz
Transmitter 1.5w—4 w
16 hour battery life in standard mode
8 hours battery life in boost mode
WLAN / WiFi (WEP/WPA/WPA2)

Power Supply

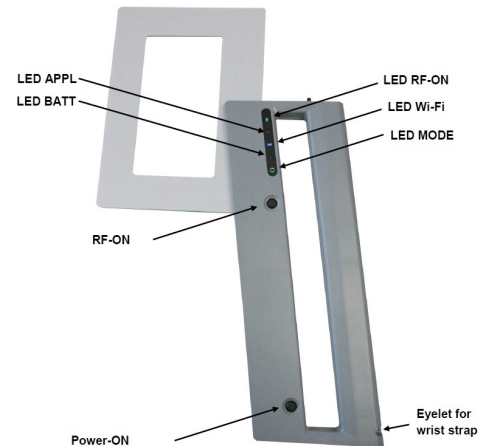
Charges included

AFI/EAS

supported.

Standards

FCC 47 CFR Part 15
UL, CE Approvals
EN 301 489
EN 300 330



Contact US...

T: (01394)420077

E: info@d-techdirect.com

W: www.d-techdirect.com

*Building 136
Bentwaters Parks
Rendlesham
Woodbridge
Suffolk
IP12 2TW*